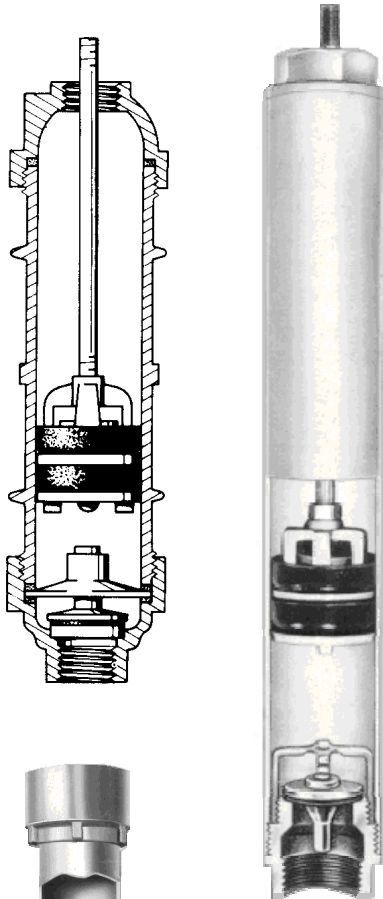


COMPLETE CYLINDERS

2 - 1 - 07

DEAN BENNETT SUPPLY CO.
Toll Free : 800-621-4291
PRICES ARE YOUR NET COSTS
 Page 61

442 ALL BRASS FLUSH CAP CYLINDERS



The #442 cylinder is all brass and is made from seamless brass tubing. Its flush cap design (no outside caps) allows you to install a larger cylinder in a smaller diameter well. The 2", 2-1/4", & 2-1/2" cylinders are tapped for 1-1/4" pipe and 7/16" rod. The 3" cylinders are stocked in a 10" stroke with 1 1/4" tapping and also in a 12" stroke with a 2" tapping, both with 7/16" rod. The 4" cylinder is tapped for 2" pipe and 5/8" sucker rod. All cylinders have a 10" or longer stroke. The first length shown below is the stroke, while the second length is the barrel length of the cylinder.

2" x 10" x 18"	\$ 143.00	4422	All Brass Flush Cap Cylinder
2-1/4" x 10" x 18"	\$ 163.00	442214	All Brass Flush Cap Cylinder
2-1/2" x 10" x 18"	\$ 182.00	442212	All Brass Flush Cap Cylinder
3" x 10" x 18" x 1-1/4"	\$ 249.00	4423	All Brass Flush Cap Cylinder
3" x 12" x 20" x 2"	\$ 265.00	44232	All Brass Flush Cap Cylinder
4" x 13" x 20" x 2"	\$ 437.00	44242	Ask about a 5/8" rod adapter on 4"

A-40 CAST IRON BRASS LINED CYLINDERS

These cylinders have a heavy cast iron body, a brass inside liner, a 2 leather all brass plunger, all brass bottom check valve poppet, 7/16" galvanized plunger rod, and heavy outside cast iron caps that are tapped for 1-1/4" pipe. All cylinders have a 10" stroke and 16" barrel length.

2" x 10" x 16"	\$ 229.00	A402	Brass Lined Cast Iron Cylinder
2-1/4" 10" x 16"	\$ 265.00	A40214	Brass Lined Cast Iron Cylinder
2-1/2" x 10" x 16"	\$ 260.00	A40212	Brass Lined Cast Iron Cylinder
3" x 10" x 16"	\$ 299.00	A403	Brass Lined Cast Iron Cylinder

#449-B ALL BRASS OPEN TOP CYLINDERS

The #449-B all brass open top style cylinder allows for both the plunger assembly and the bottom check to be pulled for service without pulling the steel drop pipe. All are constructed of 13 gauge seamless brass tubing, with all brass caps, a 3 leather ball valve brass plunger, and a ball valve brass bottom check.

1-7/8" x 14" x 24"	\$ 195.00	449B17814	All Brass Open Top Cylinder 14" stroke, tapped for 2" pipe, and 5/8" rod
1-7/8" x 20" x 30"	\$ 207.00	449B17820	All Brass Open Top Cylinder 20" stroke, tapped for 2" pipe, and 5/8" rod
2-1/4" x 19" x 30"	\$ 278.00	449B214	All Brass Open Top Cylinder 19" stroke, tapped for 2-1/2" pipe, and 7/8" rod
2-3/4" x 18" x 30"	\$ 425.00	449B234	All Brass Open Top Cylinder 18" stroke, tapped for 3" pipe, and 7/8" rod



**YOU CAN COMBINE WELL CYLINDERS WITH OTHER ITEMS IN OUR CATALOG
 TO QUALIFY FOR OUR \$ 1000.00 FULL FREIGHT PREPAID ORDER POLICY.**